

## Contents

1	About this document	1
2	Safety	1
3	Product description	2
4	Mounting	2
5	Disassembly, recycling and disposal	7

## 1 About this document

### 1.1 Contents and purpose

This document describes the mounting of the electromechanical locking device STV 50x and the connection to a SafeRoute® system.

### 1.2 Target group

This document is intended for assembling technicians and specialists authorized for mounting by dormakaba.

### 1.3 Other applicable documents

The following documents belong to the unit's complete documentation and must be observed:


- The SafeRoute® system manual
- The respective door unit's inspection log


### 1.4 Documents storage


This document must be handed over to the facility operator after mounting and commissioning.

### 1.5 Symbols used

 Sequence of action steps

 Reference to a chapter

 Door opening direction DIN left = opening outwards to the right

 Door opening direction DIN right = opening outwards to the left



Components may be damaged by electrostatic discharge. Ground your own body before touching a component!

## 2 Safety

### 2.1 Intended use

The STV 50x is an electromechanical locking device based on the quiescent current principle.

### 2.2 Requirements for fire and smoke protection doors

When mounting the STV 50x in preventive fire protection, the fire and smoke protection doors' properties must not be impaired. Mounting is only permitted if the proof of usability for the fire and smoke protection door allows for installation and the proof of usability's stipulations are observed. Further information can be found in the report "Permissible changes and additions to fire protection closures" from the Deutsches Institut für Bautechnik (DIBt 1/1996), Berlin.

### 2.3 Personnel qualification

Mounting may only be carried out by persons authorized by dormakaba.

# STV 50x

Mounting instructions

WN 059725 45532 – 2018-11

EN

### 3 Product description

The STV 50x is an electromechanical locking device for swing doors, which is concealed in the door frame. A TV-Z 510 mortise latch lock is required in the door leaf as a counterpart. The STV 50x is a DCW® component in a SafeRoute® system.

#### 3.1 Variants

**STV 501** with angled strike plate for DIN-L folding doors

**STV 502** with angled strike plate for DIN-R folding doors

**STV 505** with flat striking plate for DIN-L rebated doors

**STV 506** with flat striking plate for rebated doors DIN-R

**STV 507** with flat striking plate and latch guide for rebated doors DIN-L

**STV 508** with flat striking plate and latch guide for rebated doors DIN-R

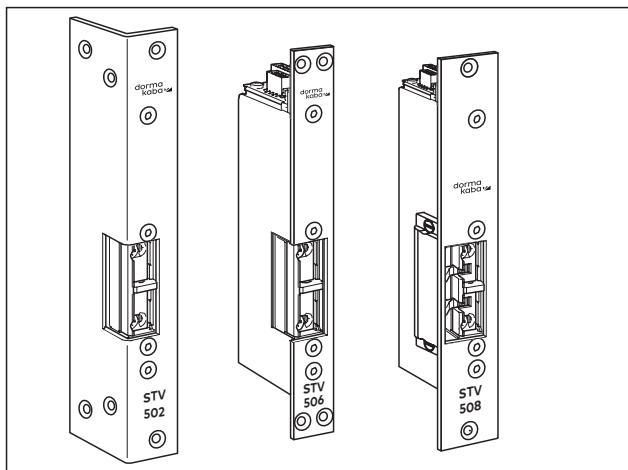


Fig. 1 Variants for doors (DIN right)

#### 3.2 Parts included

- STV 50x in one of the above mentioned variants
- Bag with fixing materials

#### 3.3 Technical information

Locking force:	2000 N at UB +/-10 %
Supply voltage:	24 V DC +/-15 %
Power consumption:	75 mA
Temperature range:	-10 °C to +55 °C
Rel. humidity:	up to 93 % (non condensing)
Protection class:	IP 30 in installed condition with door closed

### 4 Mounting

The mounting is shown on a door which opens outwards to the left (DIN right).

When mounting on a door which opens outwards to the right (DIN left), proceed mirror-inverted!

#### 4.1 Mounting position

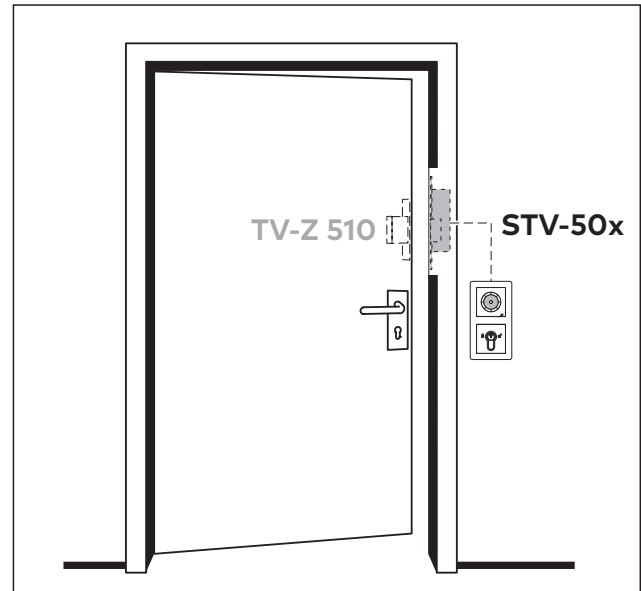


Fig. 2 Example for STV 50x mounting position

#### 4.2 Please note during mounting

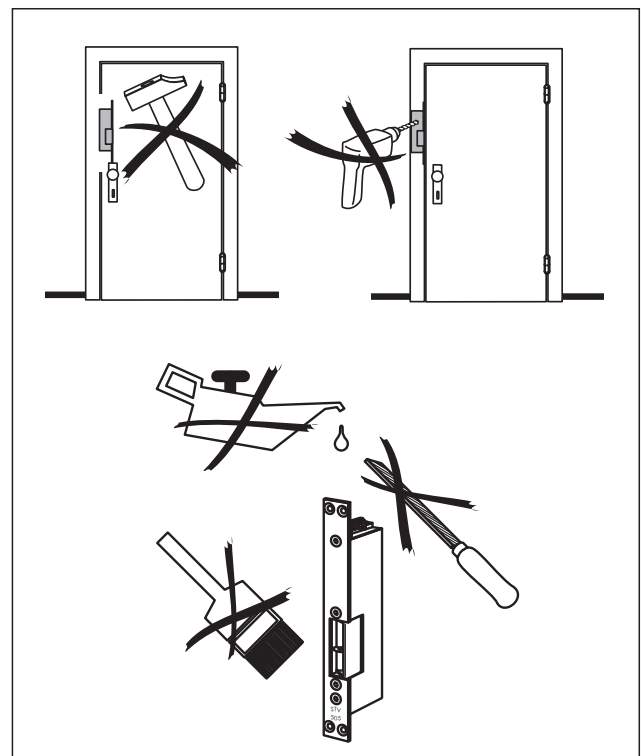
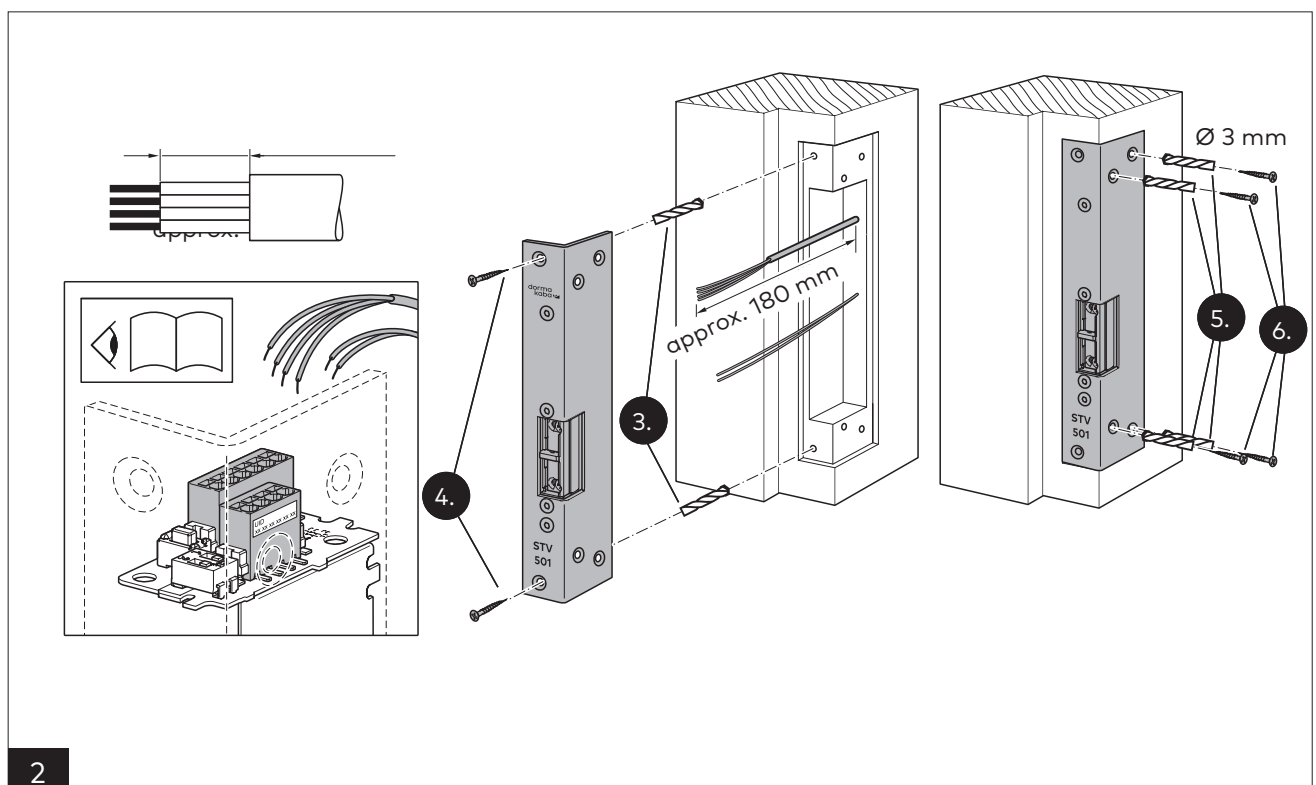
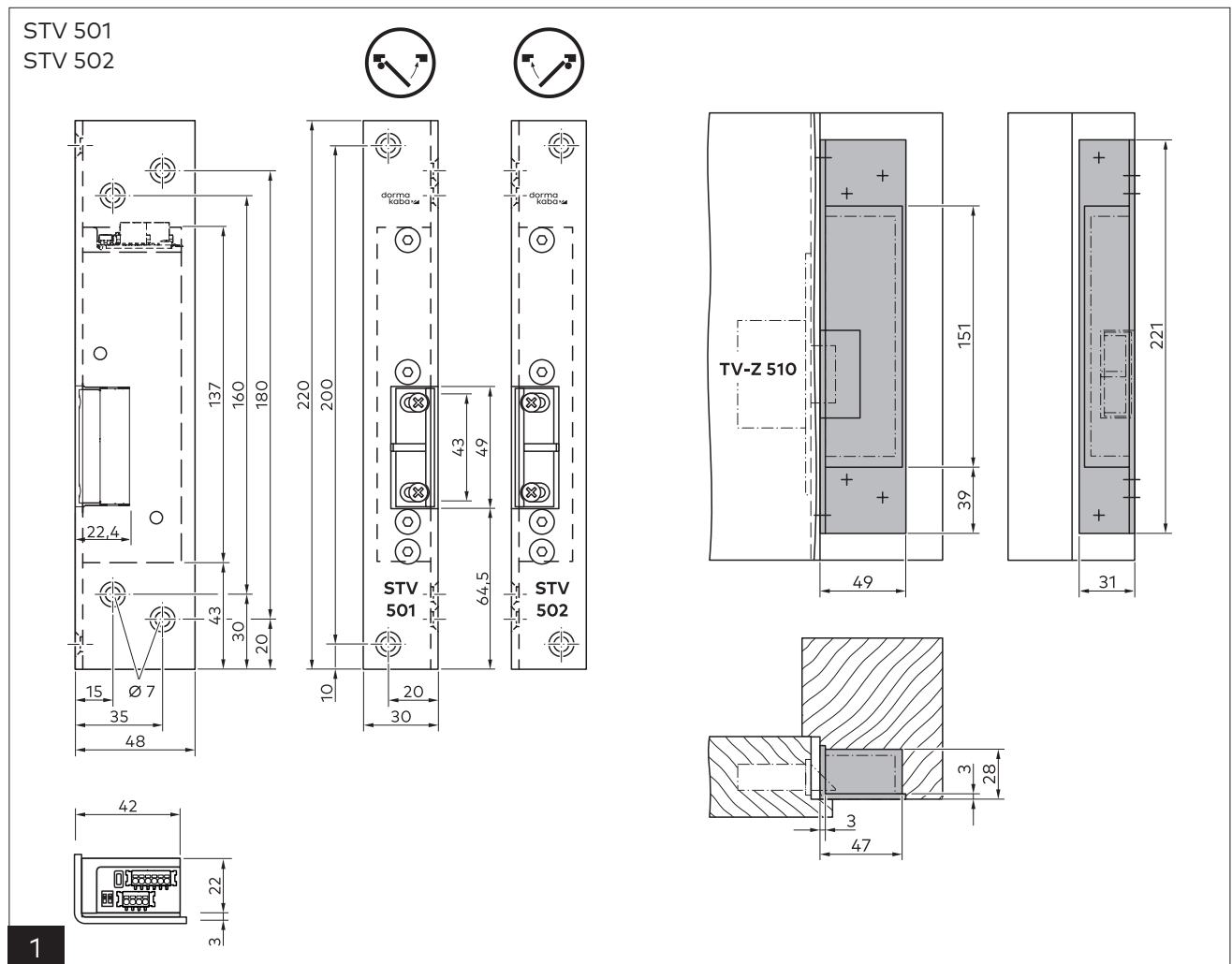


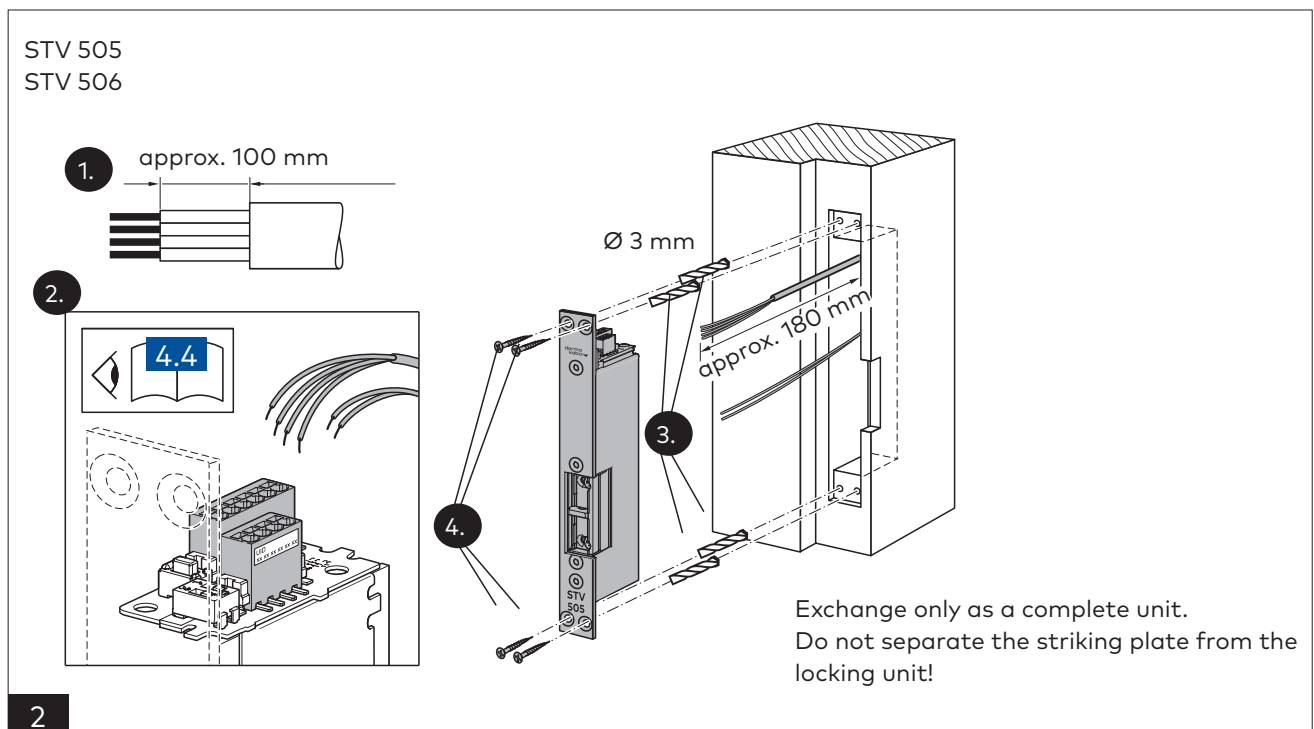
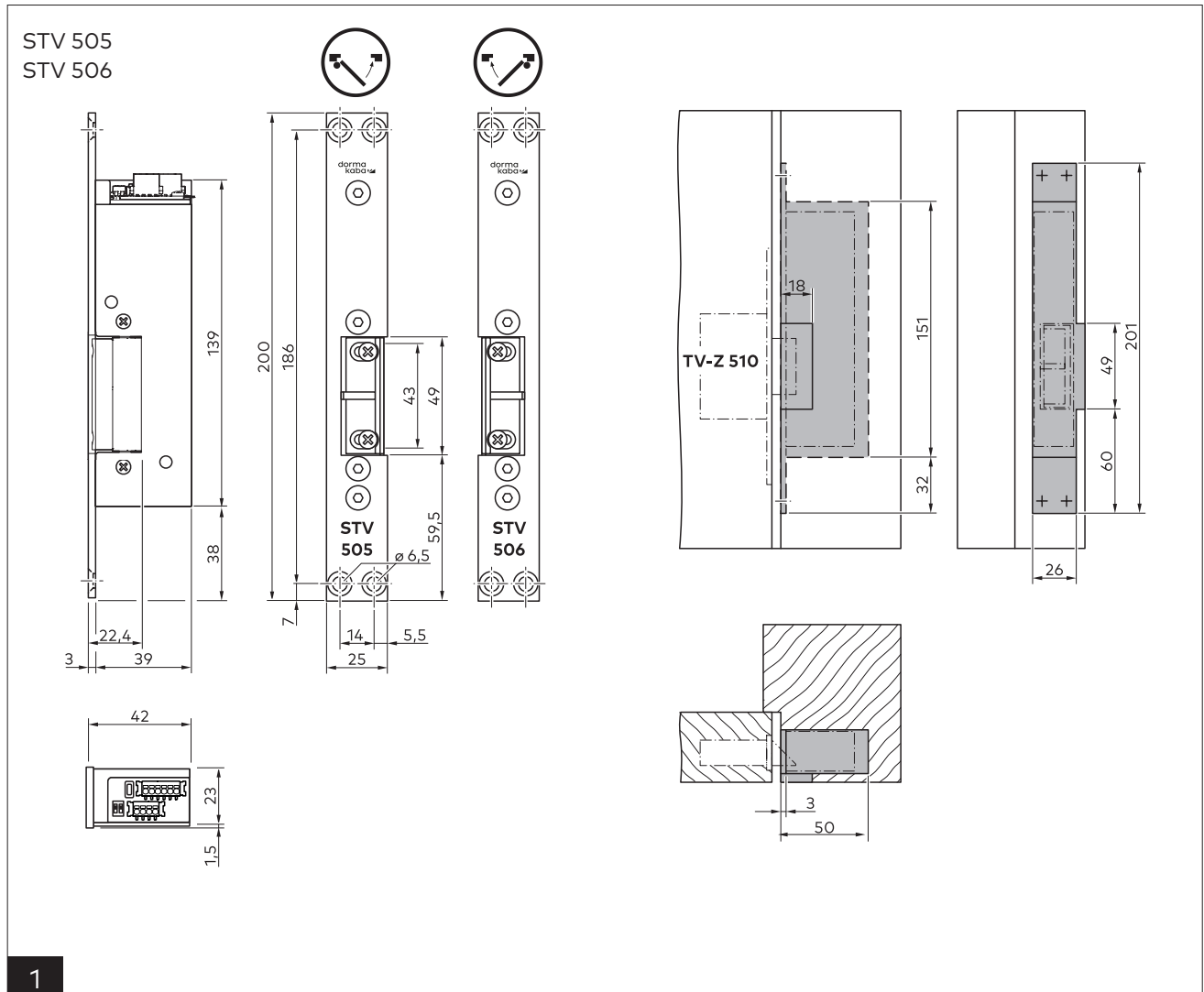
Fig. 3 Notes on mounting the STV 50x

### 4.3 Mounting the variants

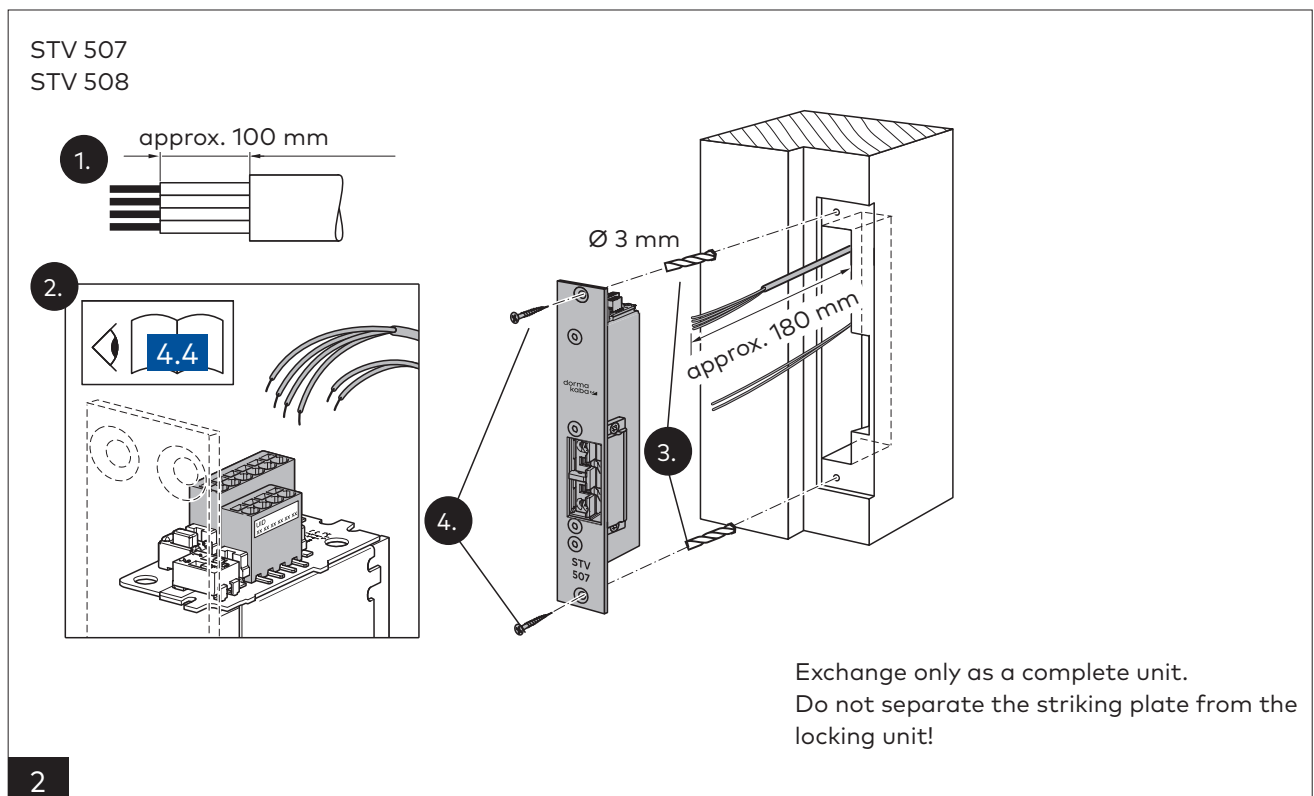
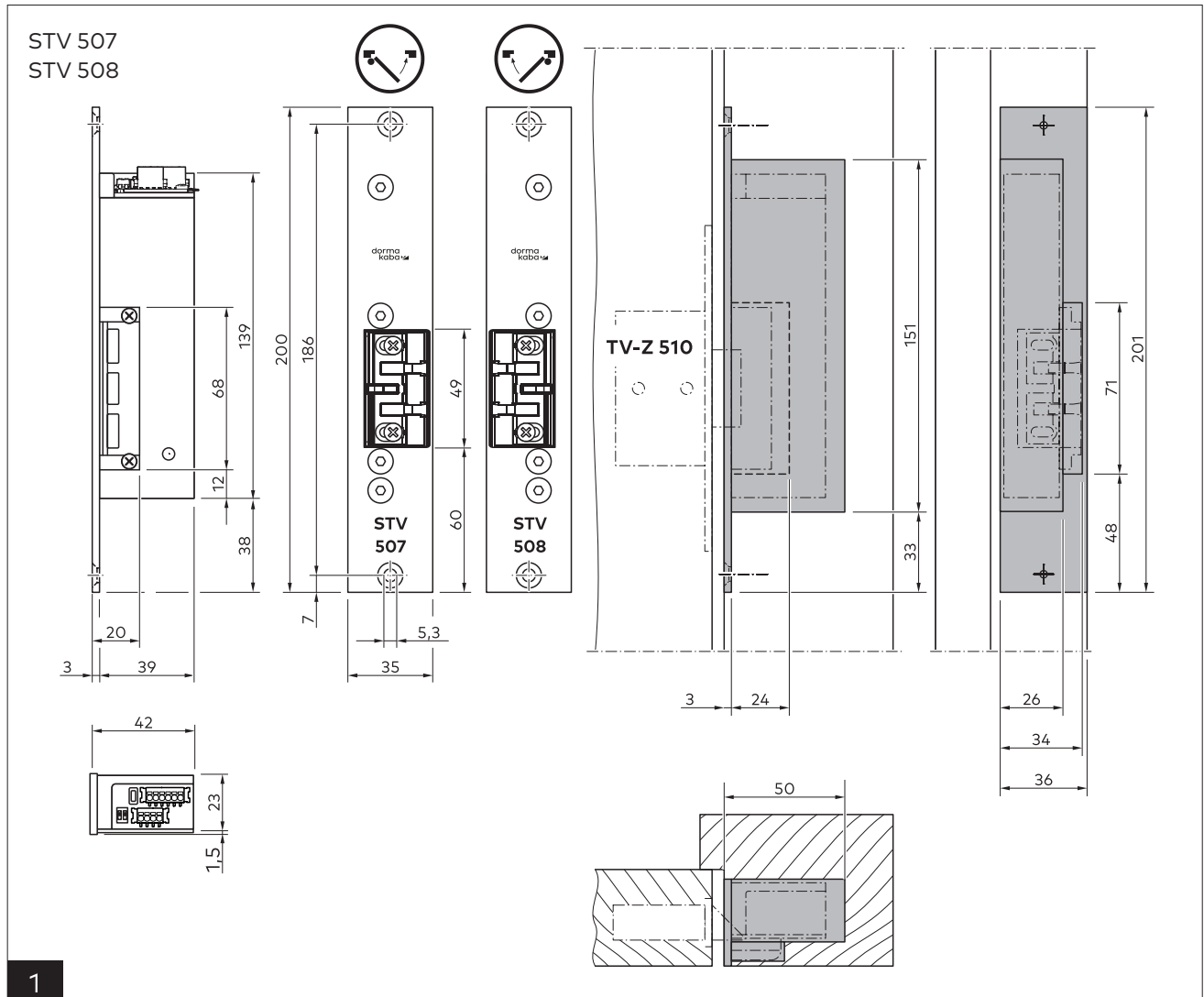
#### 4.3.1 Mount STV 501 or STV 502



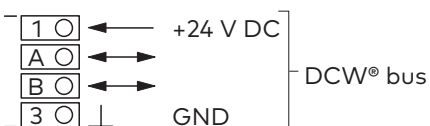
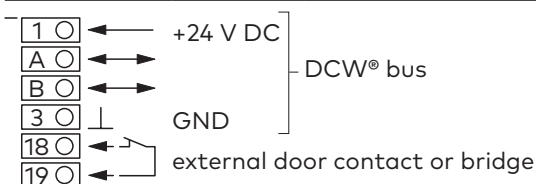
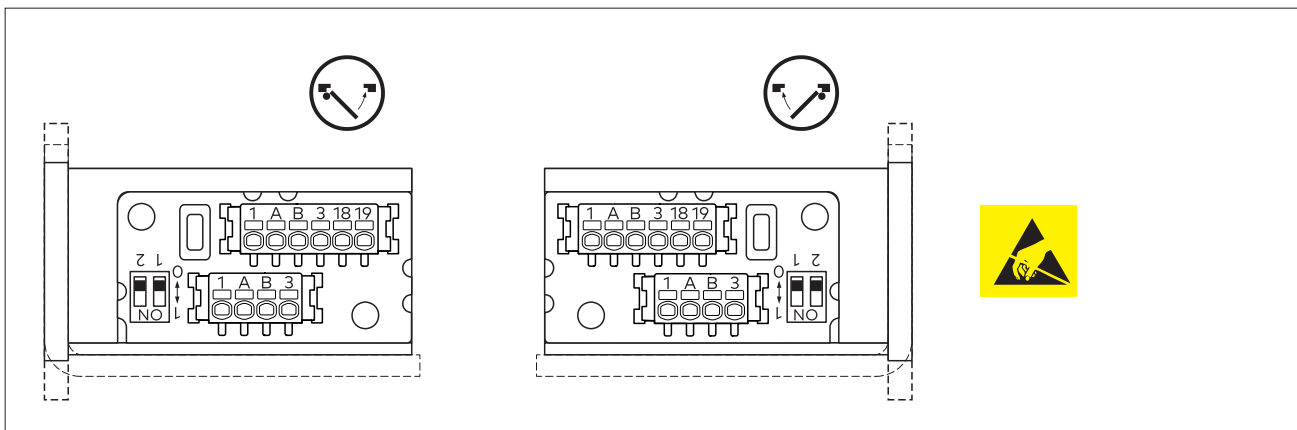
### 4.3.2 Mount STV 505 or STV 506



### 4.3.3 Mount STV 507 or STV 508



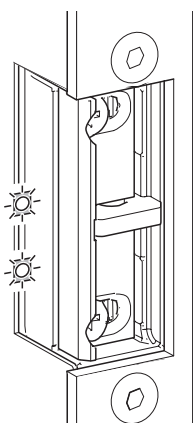
### 4.4 Assignment of terminals and switch/button



DCW® address	Switch 1	Switch 2	
1	0	0	DCW® DIP switch If multiple electrical door locks (STV xxx) are connected via the DCW® bus, assign different DCW® bus addresses to the electrical door locks.
2	1	0	
3	0	1	
4	1	1	



Service button (press service button for 8 seconds = factory setting)



#### LED displays

LED On — LED Off — LED flashes - - - -

##### DCW® LED (red)

Bus connection OK —

Bus connection interrupted —

DCW® error - - - -

##### Config LED (yellow)

Configuration successful —

Device not configured —

##### Both LEDs

Configuration mode active - - - -

### 4.5 Complete mounting

1. Document the mounting and commissioning in the inspection log.
2. Hand over this document to the facility operator.

## 5 Disassembly, recycling and disposal

Disassembly is carried out in the reverse order of mounting and must be carried out by qualified personnel.



The product must be disposed of in an environmentally friendly manner. Electro-technical parts and batteries must not be disposed of as domestic waste. Dispose of electrotechnical parts and batteries in the designated acceptance and collection points. Refer to the statutory regulations for your country.

Translation of the original document, subject to change without notice

dormakaba Deutschland GmbH

DORMA Platz 1 58256 Ennepetal Germany T: +49 2333 793-0 F: +49 2333 793-4950

[www.dormakaba.com](http://www.dormakaba.com)