



dormakaba mechatronic cylinder

Combining mechanics and electronics

A versatile range

The mechatronic cylinders bridge the gap between electronic access control and the world of mechanics. They fit seamlessly into existing mechanical master key systems and can also be used on outside doors.

The mechatronic cylinder range is part of the dormakaba evolo product portfolio and supports current RFID technologies.

Losing keys is no problem

In no time, you can benefit from the security and flexibility of a programmable master key system. This, by using the Kaba MC design key: a high-grade, copy-protected and registered key with an integrated RFID chip, available in 14 clip colours. You can upgrade existing Kaba keys with an electronic clip

and use it for both mechanical and electronic access. Access rights on this intelligent key can be changed very quickly. Lost keys are simply revoked, which means it is no longer necessary to replace the cylinder.

Smart electronics

The system solution allows access rights to be controlled in terms of time and location. It is also possible to programme services from third parties, such as cash-free payment at vending machines or time registration.

Wireless function

The optional version with wireless establishes a radio connection to the central access system via the wireless gateway. Programming is carried out directly from the PC and offers the ultimate convenience.

Advantages at a glance

Flexibility of the access system

Complete or partial transfer from mechanics to electronics is possible

Combination of mechanics and electronics

The smart key combines the two worlds: one key opens all doors as usual

Protection of your investment

Additional functions can be added and the system can be integrated into existing Kaba star systems

Wireless function

Convenient programming from your desk: with the wireless function, the mechatronic cylinder is wirelessly connected to your access system



Overview of versions



Mechatronic cylinder – outside view. The electronic module is integrated into the door leaf in the forend version.



Surface fixed version – electronic module on the inside of the door.



Compact cylinder – electronic module in the internal knob.

Forend version – high performance

The forend version of the mechatronic cylinder has a discrete appearance on the door, but this hides high-performance electronics. It is best used on doors in the entrance area and on important access point doors. The cylinder is connected to the electronics module via a flexible cable. The module with the battery compartment is installed in the door leaf like a mortise lock. Two commercial batteries allow for to 140,000 door movements. The optional wireless solution communicates with the online access solution and reports each change at the door.

Surface fixed version – design on the door

The surface fixed version has an impressively elegant design. It is the ideal solution for fire doors or emergency exit doors. The mechatronic cylinder can be used wherever electronic access control is required, because no changes need to be made to the door. In this version, the robust metal housing is simply secured to the inside of the door on the cylinder. You can choose between the mechatronic cylinder with thumbturn or double cylinder. The battery is integrated into the housing. When changing the battery, you can easily open the plastic cover using the multitool and replace the battery.

Compact version – easily installed

In the compact cylinder, the mechatronic cylinder and electronics form one unit. Existing lock cylinders can be easily and quickly replaced with a mechatronic cylinder with electronic authorisation check. From the inside, the door can be conveniently opened and closed using the knob. The metal knob can be removed when changing the battery.

Features

Intuitive to use

Insert the Kaba MC design key into the mechatronic cylinder, and an acoustic signal indicates if access is granted or denied. Enter the desired room by turning the key and pressing the door handle as usual.

A solution for every requirement

The mechatronic cylinders can be installed on all doors, inside or in weatherproof outside areas. Depending on customer requirements, door monitoring or an electrical connection to a door opener is possible with the additional module. The surface fixed version is a functional design element on the door and allows easy installation on fire or emergency escape doors.

Scalable application

The mechatronic cylinders are easy to program and suitable for single doors but also as part of a large-scale master key system. Choose from the following programming options:

- Authorisation in the door component:
 - with the programming key
 - with the system software and transfer of access rights via programming device
 - conveniently from your desk via the wireless function
- Authorisations on the access medium – programming of the door components on site is not necessary. Time-limited access rights are stored on the user key.

Users can update their access rights at the terminal or reader. Optionally available with:

- CardLink
- AoC (Access on Card)

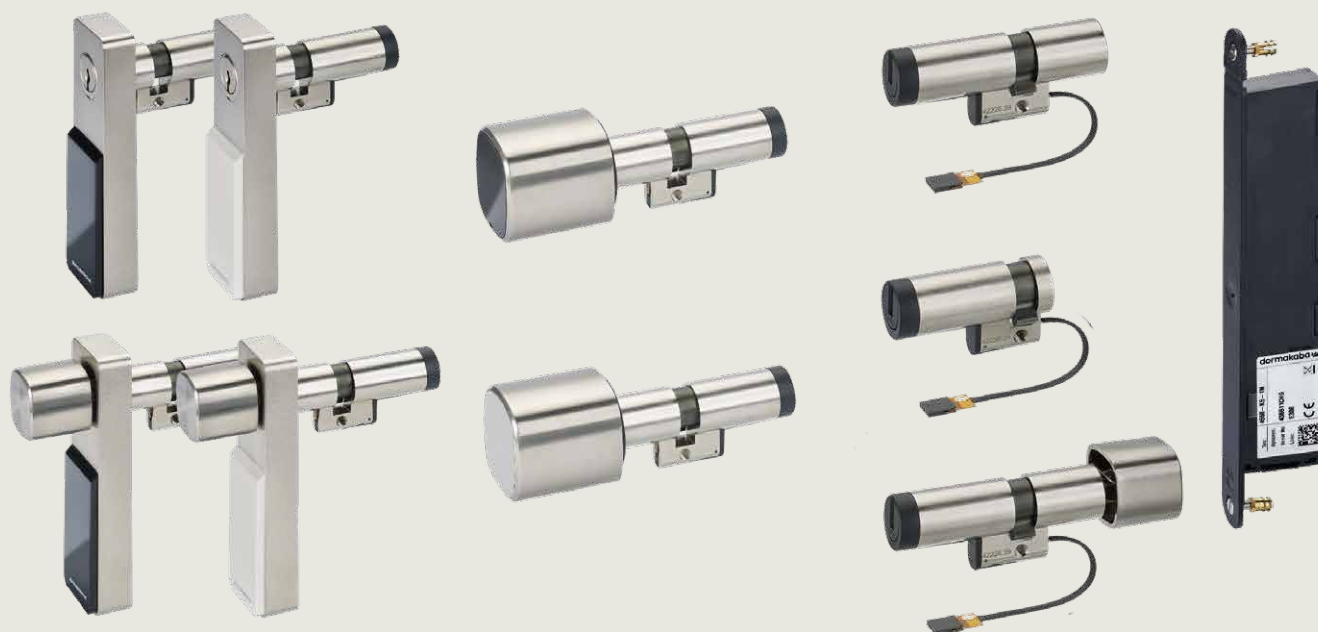
Important dormakaba evolo features

- Unlimited number of media can be managed
- Event memory for up to 2000 door movements (can be deactivated)
- 15 configurable time profiles, each with 12 time windows
- 20 holiday periods and 64 special days
- Time-limited granting of user rights (validation)

A universal product range

Our portfolio includes other products in the same premium design which can be combined and integrated into our standalone or online systems - made to meet our customer's requirements.

Note: The range of available functions depends on the system solution in which it is used.



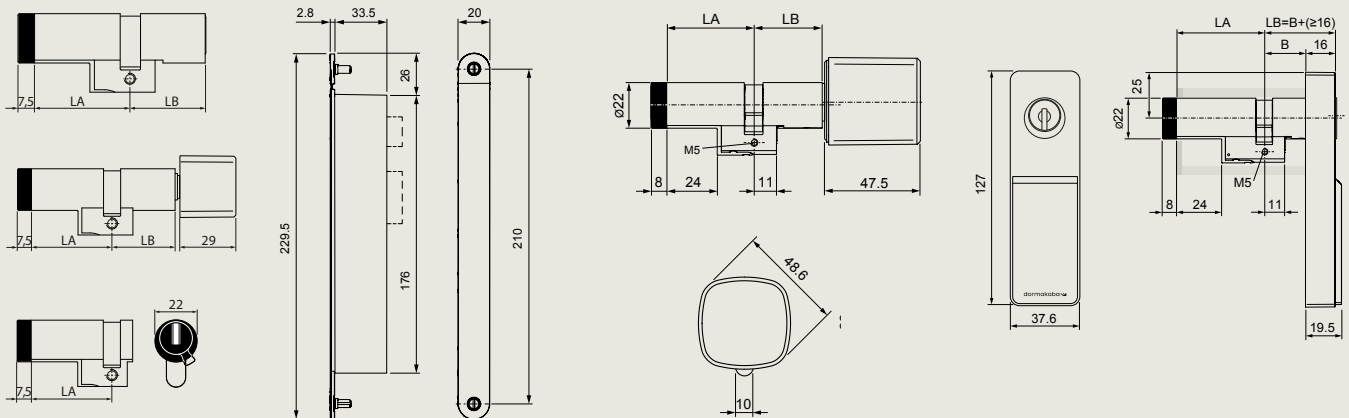
Mechatronic cylinder range, black & white, Swiss round profile.

Surface fixed versions with mechanical locking by key or thumbturn knob inside, compact cylinder and forend cylinder with e-module (from left to right)

Specification overview

	Forend version	Compact version	Surface fixed version
Supported technologies	LEGIC (advant & prime) MIFARE (DESFire & Classic)	LEGIC (advant & prime) MIFARE (DESFire & Classic)	LEGIC (advant & prime) MIFARE (DESFire & Classic)
Versions	Swiss round profile Types: double, single and thumbturn cylinders Surface finishes: nickel-plated, polished brass and various special colours Mechanical functions: freewheel function, priority	Swiss round profile Type: compact cylinder Surface finishes: nickel-plated, polished brass, dull chrome-plated	Swiss round profile Types: double and thumbturn cylinders Surface finishes: nickel-plated, polished brass, dull chrome-plated Mechanical functions: freewheel function, priority
Dimensions	Cylinder length from 42,5/32,5 mm Further lengths in 5 mm steps Max. cylinder length: 195 mm Thumbturn: Ø 36 x 29 mm Thumbturn small: Ø 30 x 27 mm	Cylinder length from 42,5/32,5 mm Further lengths in 5 mm steps Max. cylinder length: 145 mm Thumbturn: Ø 48,6 x 47,5 mm	Cylinder length from 42,5/32,5 mm Further lengths in 5 mm steps Max. cylinder length: 155 mm Surface fixed housing: 37,6 x 127 x 19,5 mm (W x H x T) Thumbturn: Ø 36 x 29 mm
Power supply	Battery: 2 x AA lithium or alkaline External: 12 to 24 V DC	Battery: 1 x CR2 lithium	Battery: 1 x CR2 lithium
Environment/ service life	Temperature: -25°C to +70°C Protection type: IP40 Lithium battery life at 20°C: up to 140,000 cycles or 3 years	Temperature: -25°C to +70°C Protection type: IP41 Lithium battery life at 20°C: up to 40,000 cycles or 2 years	Temperature: -25°C to +70°C Protection type: IP41 Lithium battery life at 20°C: up to 40,000 cycles or 2 years
Radio interface	IEEE 802.15.4	IEEE 802.15.4	IEEE 802.15.4
Certificates	EN 15684: 1 6 B 1 A F 3 2 Fire resistance: EN 1634-1: 30 min.	EN 15684: 1 6 B 1 A F 3 2 Fire resistance: EN 1634-1: 30 min.	EN 15684: 1 6 B 1 A F 3 2 Fire resistance: EN 1634-1: 70 min.

Further details and order information can be found in the relevant dormakaba catalogue or system description.



Forend cylinder: double, thumbturn and single version, e-module

Compact cylinder

Surface fixed version double cylinder design

Any questions? We would be pleased to assist you.

dormakaba Schweiz AG
Hofwisenstrasse 24
8153 Rümlang

Mühlebühlstrasse 23
8620 Wetzikon

Lerchentalstrasse 2a
9016 St. Gallen

dormakaba Suisse SA
Chemin de Budron A5
1052 Le Mont-sur-Lausanne

T: +41 848 85 86 87
info.ch@dormakaba.com
www.dormakaba.ch

Subject to technical changes without prior notice.

WN05509751532en. Version 09/2019.
© 2019 dormakaba.